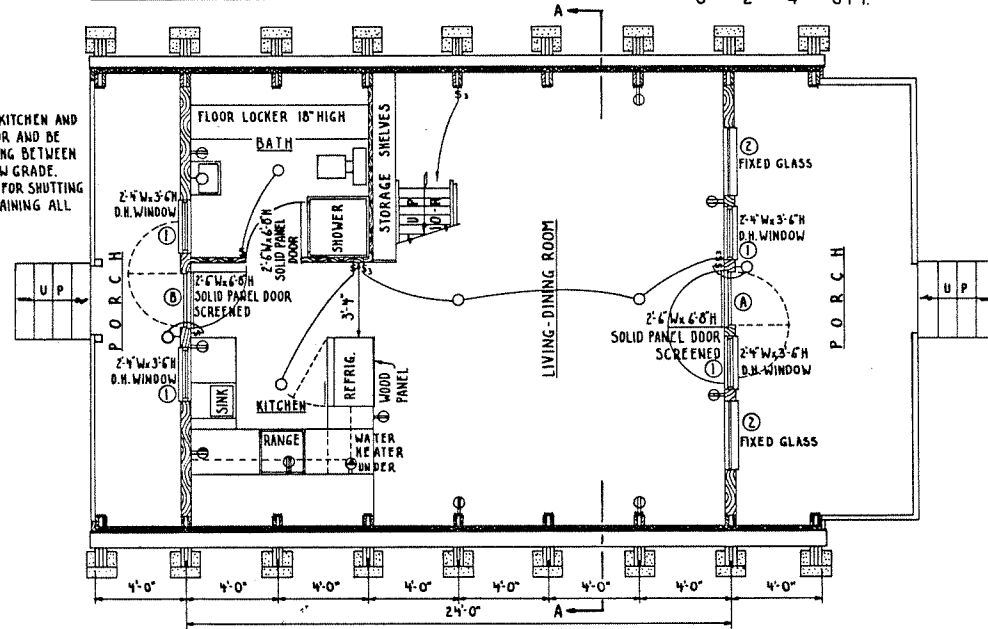


SECOND FLOOR PLAN

0 2 4 6 FT.

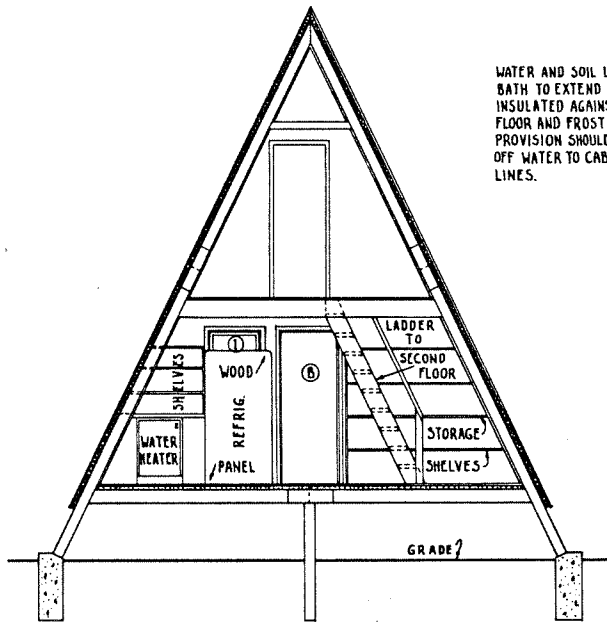
REAR WALL AT SECOND FLOOR MAY BE CONSTRUCTED AT END SET OF RAFTERS THEREBY INCREASING LENGTH OF BEDROOM. IF THIS IS DONE SUBSTITUTE A DOUBLE HUNG WINDOW FOR DOOR.



FIRST FLOOR PLAN

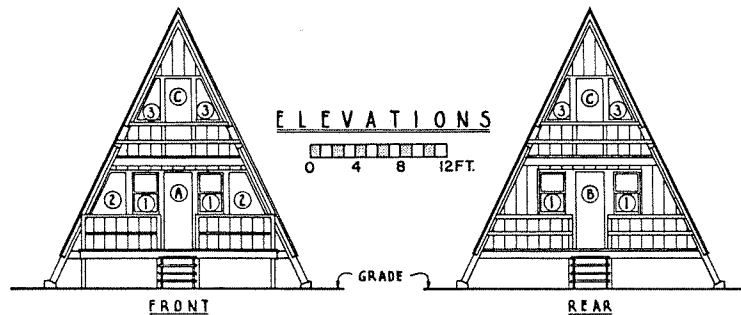
0 2 4 6 FT.

WATER AND SOIL LINES FOR KITCHEN AND BATH TO EXTEND THRU FLOOR AND BE INSULATED AGAINST FREEZING BETWEEN FLOOR AND FROST LINE BELOW GRADE. PROVISION SHOULD BE MADE FOR SHUTTING OFF WATER TO CABIN AND DRAINING ALL LINES.



SECTION A-A

0 2 4 6 FT.



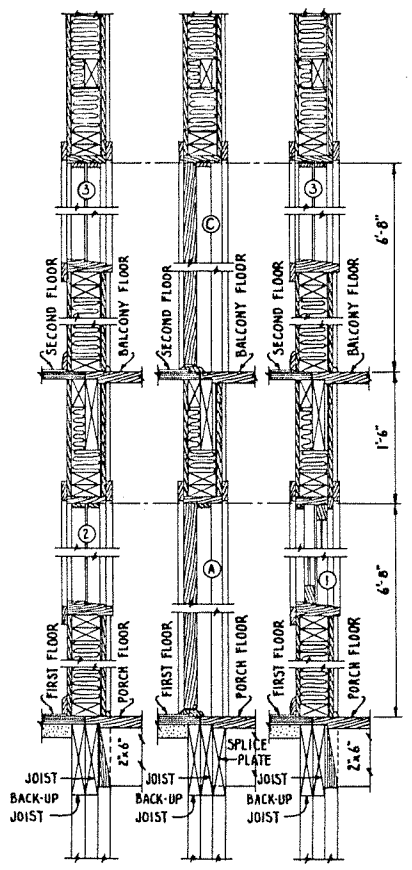
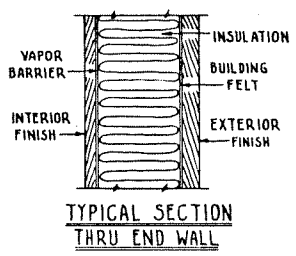
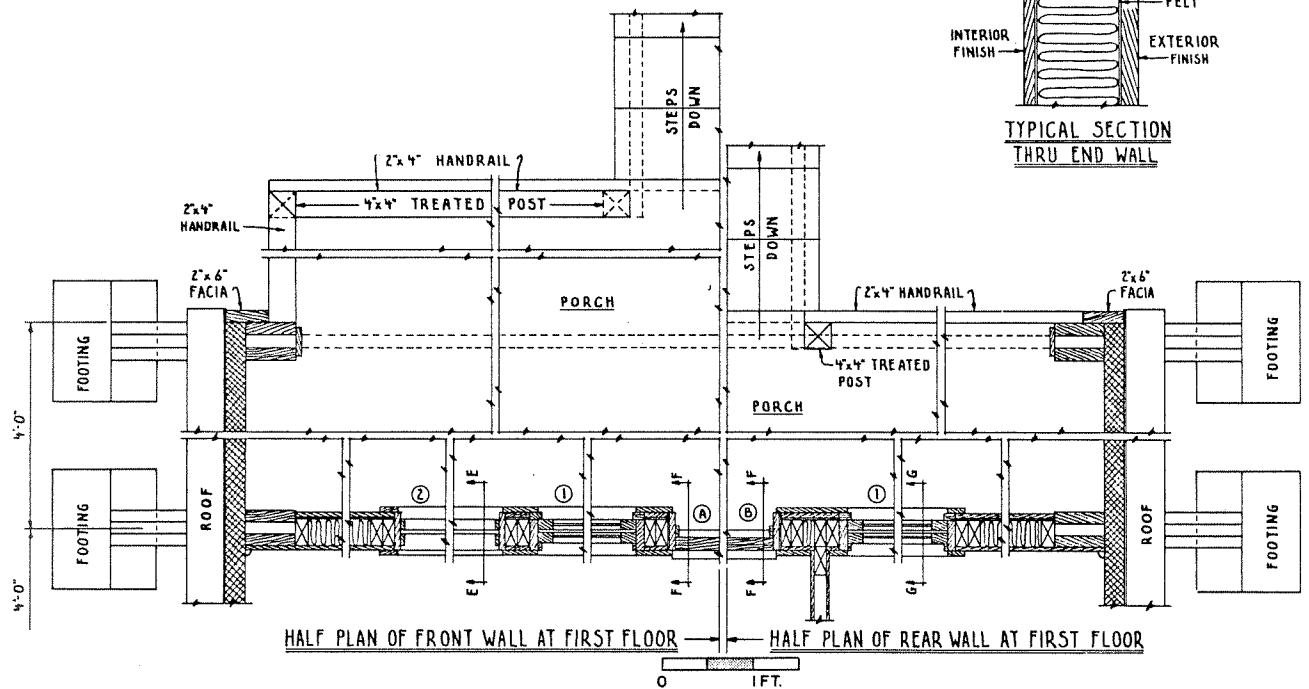
ELEVATIONS

0 4 8 12 FT.

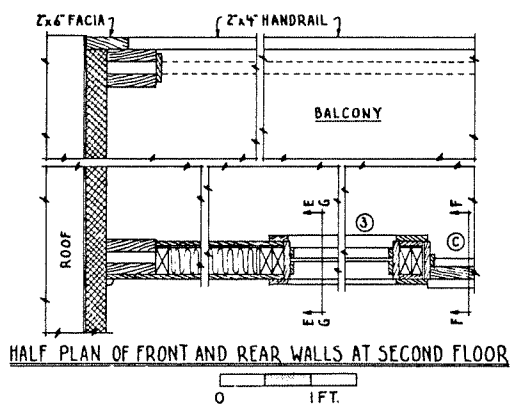
COOPERATIVE EXTENSION WORK IN
 AGRICULTURE AND HOME ECONOMICS
 DEPARTMENT OF AGRICULTURAL ENGINEERING
 UNIVERSITY OF MARYLAND
 AND
 UNITED STATES DEPARTMENT OF AGRICULTURE COOPERATING

24'-0" A FRAME CABIN

USDA 1963 EX. 5964 SHEET 1 OF 3



NOTE - PORCH CONSTRUCTION - 2" PLANKING ON 2x6" FRAMING - 2'-0" O.C.



COOPERATIVE EXTENSION WORK IN
 AGRICULTURE AND HOME ECONOMICS
 DEPARTMENT OF AGRICULTURAL ENGINEERING
 UNIVERSITY OF MARYLAND
 AND
 UNITED STATES DEPARTMENT OF AGRICULTURE COOPERATING

24'-0" A' FRAME CABIN
 USDA 1963 EX-5964 SHEET 3 OF 3